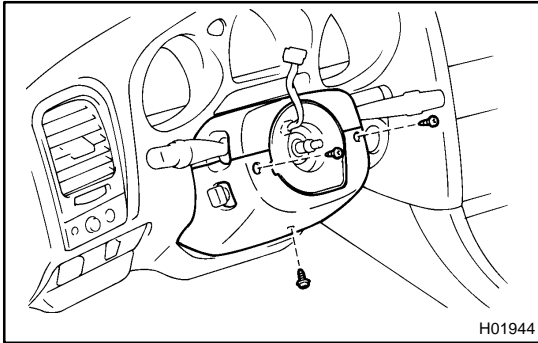
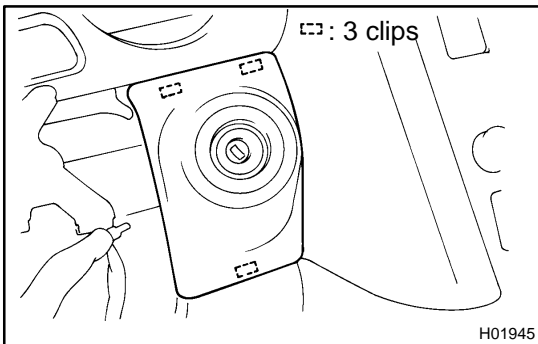


REMOVAL

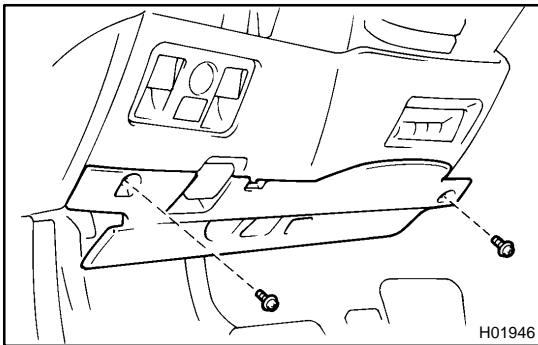
1. REMOVE FRONT PILLAR GARNISHES
2. REMOVE FRONT DOOR SCUFF PLATES
3. REMOVE STEERING WHEEL
(See page [SR-13](#))



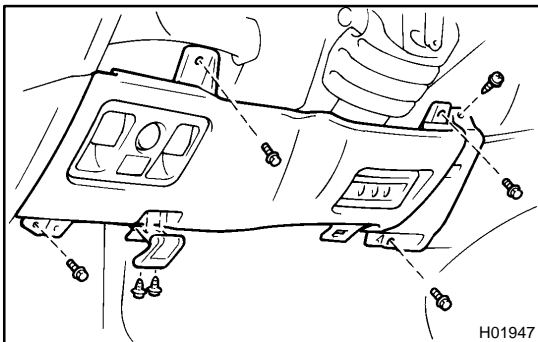
4. REMOVE STEERING COLUMN COVER
 - (a) Remove the 3 screws.
 - (b) Remove the steering column covers.
5. REMOVE COMBINATION SWITCH



6. REMOVE END PAD
Using a screwdriver, remove the end pad.
HINT:
Tape the screwdriver tip before use.



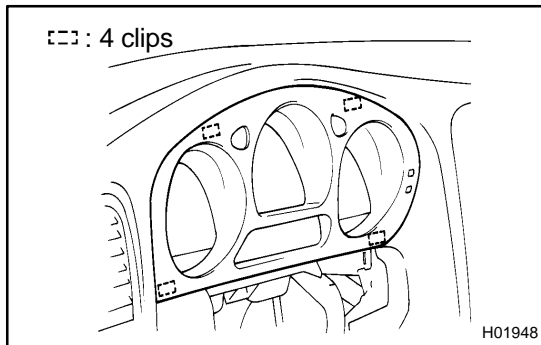
7. REMOVE NO. 1 UNDER COVER
 - (a) Remove the 2 screws.
 - (b) Remove the No. 1 under cover.



8. REMOVE NO. 1 SAFETY PAD
 - (a) Remove the 2 screws and hood lock control.
 - (b) Remove the 4 bolts and screw.
 - (c) Remove the No. 1 safety pad.
9. REMOVE PARKING BRAKE HANDLE
10. REMOVE NO. 1 SWITCH HOLE BASE

11. REMOVE STEERING COLUMN

- (a) Remove the 4 nuts.
Torque: 25 N·m (250 kgf·cm, 19 ft·lbf)
- (b) Disconnect the spring from the brake pedal.
- (c) Remove the steering column.

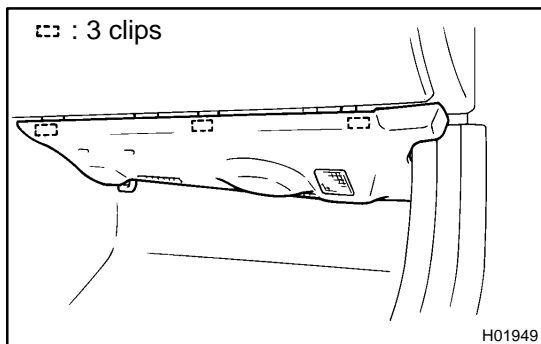
**12. REMOVE CLUSTER FINISH PANEL**

HINT:

Tape the screwdriver tip before use.

13. REMOVE COMBINATION METER

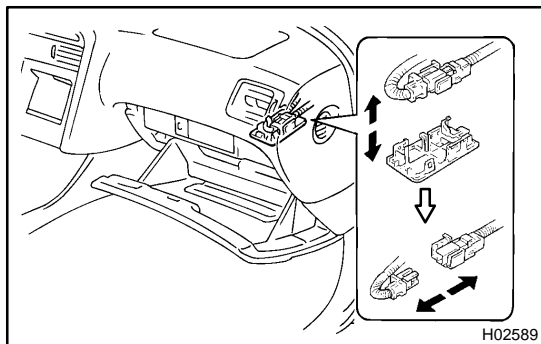
- (a) Remove the 4 screws.
- (b) Remove the meter, then disconnect the connectors.

**14. REMOVE NO. 2 UNDER COVER**

Using a screwdriver, remove the No. 2 under cover.

HINT:

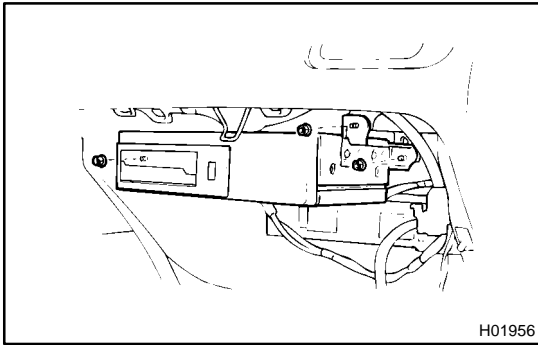
Tape the screwdriver tip before use.

**15. DISCONNECT AIRBAG CONNECTOR****NOTICE:****When handling the airbag connector, take care not to damage the airbag wire harness.**

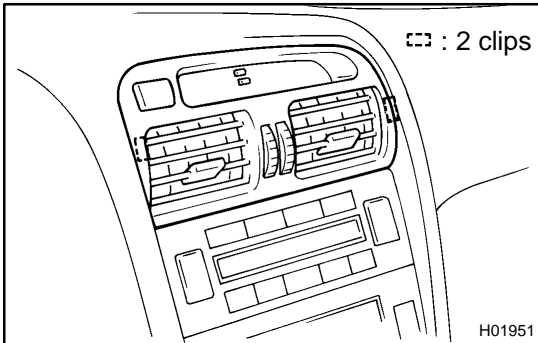
- (a) Remove the airbag connector from the plate.
- (b) Disconnect the airbag connector.

16. REMOVE GLOVE COMPARTMENT PANEL ASSEMBLY

- (a) Remove the 2 bolts.
- (b) Open the glove compartment door, then remove the 3 screws.
- (c) Remove the glove compartment panel assembly.

**17. REMOVE CD CHANGER**

- (a) Remove the 3 nuts.
- (b) Disconnect the connector and remove the CD changer bracket.

18. REMOVE ASH RECEPTACLE**19. REMOVE NO. 2 REGISTER**

- (a) Using a screwdriver, remove the No. 2 register.

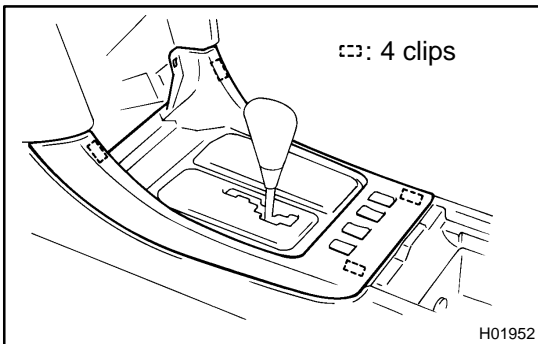
HINT:

Tape the screwdriver tip before use.

- (b) Disconnect the connector.

20. REMOVE AUDIO

- (a) Remove the 2 bolts and 2 screws.
- (b) Disconnect the connector, then remove the audio.

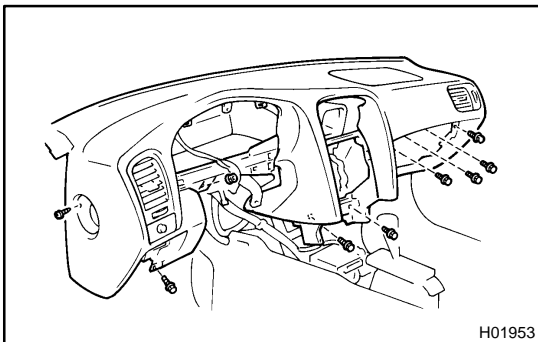
**21. REMOVE CLUSTER FINISH PANEL**

- (a) Using a screwdriver, pry out the cluster finish panel.

HINT:

Tape the screwdriver tip before use.

- (b) Disconnect the connectors.

22. REMOVE CONSOLE BOX CARPET**23. REMOVE LOWER REAR CONSOLE BOX****24. REMOVE REAR CONSOLE ARMREST****25. REMOVE NO. 3 CONSOLE BOX MOUNTING BRACKET****26. REMOVE CONSOLE BOX****27. REMOVE NO. 1 CONSOLE BOX DUCT****28. REMOVE NO. 7 HEATER TO REGISTER****29. REMOVE INSTRUMENT PANEL SAFETY PAD**

- (a) Remove the 5 bolts and nut and screw.
- (b) Remove the instrument panel safety pad.

30. REMOVE NO. 1 BRACE**31. REMOVE NO. 2 BRACE****32. REMOVE REINFORCEMENT**

- (a) Remove the 5 nuts and 4 bolts.

- (b) Remove the reinforcement.

33. REMOVE LOWER DEFROSTER NOZZLE